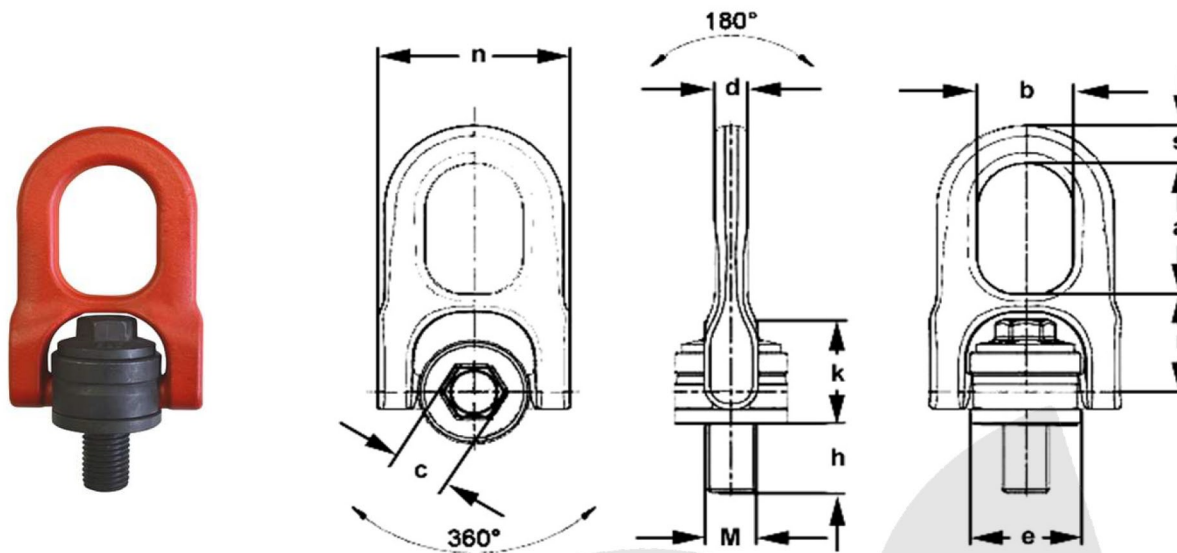


## Swivel attachment (eyebolt) ISO metric thread coarse - art. 8049



* Reference standard	Industrial standard
* Type of steel	Alloy steel quanched and tempered
* Design factor	4 : 1
* Standard surface	Ring red painted, body black phosphated
* Technical features	High capacity - horizontal swivelling 360°, vertical 180° - the link follows the axe of pull - they can rotate also when loaded
* Applications	Lifting of loads in industry and marine when high capacity and swivelling are requested
* Warnings	Unfit to endless rotation under load - working temperature -20° to +200° C - please refer to the technical part of fittings/attachment section for deepening and other warnings

Technical data																
code	WLL t <sup>(1)</sup>		measures mm													weight each appr. kg
	along the axe	at 90°	dia. M	thread pitch	height h	height a	width b	thickness		dia. e	height		width n	key c		
GL8049008	0,3	0,3	8	1,25	14	40	29	9	11	30	31,5	32	54	17	0,31	
GL8049010	0,6	0,6	10	1,5	17	40	29	9	11	30	31,5	32	54	17	0,32	
GL8049012	1	1	12	1,75	21	40	29	9	11	30	31,5	32	54	17	0,33	
GL8049016	1,6	1,6	16	2	27	56	39	13,3	17	45	45	42,5	78	22	1	
GL8049020	2,5	2,5	20	2,5	30	56	39	13,3	16,5	45	45	42,5	78	22	1,05	
GL8049024	4	4	24	3	36	85	60	20	25	60	60,5	59	119	32	3	
GL8049030	6,3	6,3	30	3,5	45	85	60	20	25	60	60,5	59	119	32	3,1	

<sup>(1)</sup> metric tons of 1.000 kg

The sizes in bold character are stock-items.