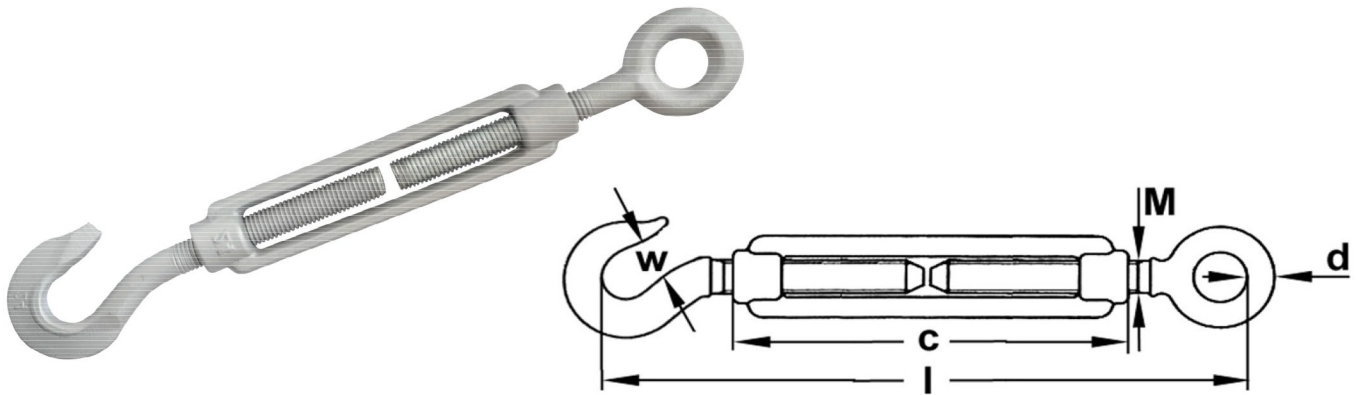


Galvanized standard rigging screw eye/hook art. 6324



* Reference standard	Industrial standard
* Type of steel	Low carbon steel S275JR UNI EN 10027-1 - W.N. 1.0044 (or alike) - class 4
* Design factor (F.O.S.)	4 : 1
* Standard surface	Electro galvanized
* Applications	Tensioning, lashing and suspending of loads in industry and marine (light duty)
* Warning	WLL apply for pull along the rigging screw's axe - working temperature -20° to +200° C - please refer to the technical part of rigging screw section for deepening and other warnings
* Remarks	Use for lifting is forbidden!



Technical data											
code	size		WLL t ⁽¹⁾	measures mm							approx. weight per pc. kg
	mm	inch		approximate length l			length c	width w	width b	diameter d	
				closed	open	1/2 take up					
FVTEOG005	5	3/16	0,05	120	170	145	79	6	8	4	0,04
FVTEOG006	6	1/4	0,06	143	205	174	88	8,5	10	4	0,06
FVTEOG008	8	5/16	0,12	162	237	200	110	10	11	5	0,15
FVTEOG010	10	3/8	0,19	196	277	237	130	12	14	6,5	0,21
FVTEOG011	11	7/16	0,23	207	292	250	135	12,5	15	7,5	0,31
FVTEOG012	12	1/2	0,27	223	310	267	140	16	17	8	0,34
FVTEOG014	14	9/16	0,38	262	378	320	170	16	18	8,5	0,5
FVTEOG016	16	5/8	0,52	296	420	358	190	16,5	23	13	0,93
FVTEOG018	18	11/16	0,63	326	455	391	200	17	25	14	1,38
FVTEOG020	20	3/4	0,81	342	475	409	220	17,5	25	14	1,42
FVTEOG022	22	7/8	1,01	370	500	435	242	20	30	16	2,11
FVTEOG025	24	1	1,16	405	570	488	255	23	34	17	2,76
FVTEOG028	27	1.1/8	1,53	445	585	515	255	29	34	18,5	3,91
FVTEOG030	30	1.3/16	1,86	450	595	523	255	29	38	19,5	4,05
FVTEOG032	33	1.1/4	2,32	451	596	524	255	29	39	21	5,75
FVTEOG036	36	1.3/8	2,72	516	676	596	295	30	48	27	7,25
FVTEOG039	39	1.1/2	3,27	519	700	610	330	30	48	28	9,36
⁽¹⁾ metric tons of 1.000 kg			The sizes in bold character are stock-items.								