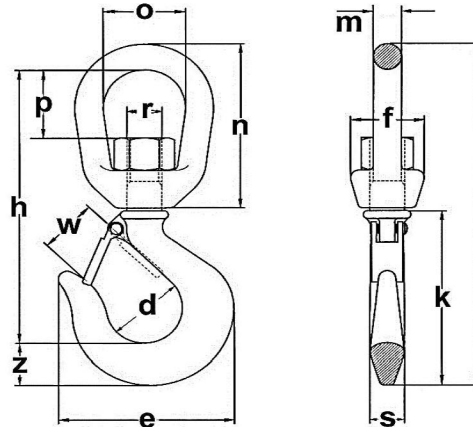


High tensile swivel hook for steel wire rope - art. 3220



* Reference standard	Industrial standard
* Type of steel	Carbon steel: C40, class 5 Alloy steel: hook alloy steel quenched and tempered class 8, swivel C 40 steel class 5
* Design factor (F.O.S.)	4 : 1
* Standard surface	Red RAL 3001 painted, safety latch set electro galvanized
* Technical features	High capacity, small dimensions
* Applications	Lifting and handling of loads in industry and marine
* Warnings	The stated WLL applies for load resting on the bottom of hook; tip or side loads affect it greatly - never use hook with missing or damaged safety latch - do not swivel the hook under load - please refer to the technical part of fittings section for deepening and other warnings

Dimensional tolerance

The dimensional tolerances for forged pieces according to norm UNI EN 10243-1 apply

Technical data

code	type of steel	WLL t *	Dimensions in mm														weight each appr. kg
			open. w	height h	width o	height p	dia. d	width e	bar m	height i	height n	height k	thread r	dia. f	thickness s	thickness z	
VSGGS0075	carbon	0,8	25	114	32	34	30	73	10	142	64	77	M12	25	14	18	0,45
VSGGS0100	carbon	1	27	136	38	34	32	81	13	170	82	86	M16	34	16	21	0,77
VSGGS0125	alloy	1,25	25	114	32	34	30	73	10	142	64	77	M12	25	14	18	0,45
VSGGS0150	carbon	1,6	29	156	46	42	35	92	16	198	99	94	M18	38	19	26	1,22
VSGGS0160	alloy	1,6	27	136	38	34	32	81	13	170	82	86	M16	34	16	21	0,77
VSGGS0200	carbon	2	32	173	50	47	38	104	18	220	110	106	M20	48	21,5	29	1,51
VSGGS0250	alloy	2,5	29	156	46	42	35	92	16	198	99	94	M18	38	19	26	1,22
VSGGS0300	carbon	3,2	38	205	57	55	46	125	20	262	127	133	M22	54	28,5	37	2,48
VSGGS0320	alloy	3,2	32	173	50	47	38	104	18	220	110	106	M20	48	21,5	29	1,51
VSGGS0500	carbon	5	48	243	68	59	60	166	26	315	146	167	M27	60	35	46	6,06
VSGGS0540	alloy	5,4	38	205	57	55	46	125	20	262	127	133	M22	54	28,5	37	2,48
VSGGS0750	carbon	8,0	58	285	75	63	76	193	29	372	159	210	M30	66	44	58	9,94
VSGGS0800	alloy	8	48	243	68	59	60	166	26	315	146	167	M27	60	35	46	6,06
VSGGS1000	carbon	10	67	322	90	73	82,5	225	32	420	183	234	M36	76	52	66	15,00
VSGGS1100	alloy	11,5	58	285	75	63	76	193	29	372	159	210	M30	66	44	58	9,94
VSGGS1450	carbon	15	81	424	120	105	108	285	40	548	257	288	M52	105	64	84	20,64
VSGGS1500	alloy	16	67	322	90	73	82,5	225	32	420	183	234	M36	76	52	66	15,00
VSGGS2000	carbon	20	102	533	135	118	127	350	45	673	293	377	M60	124	75	95	28,79
VSGGS2200	alloy	22	81	424	120	105	108	285	40	548	257	288	M52	105	64	84	20,64
VSGGS3000	alloy	30	102	533	135	118	127	350	45	673	293	377	M60	124	75	95	28,79

* metric tons of 1.000 kg

The sizes in bold character are stock-items.