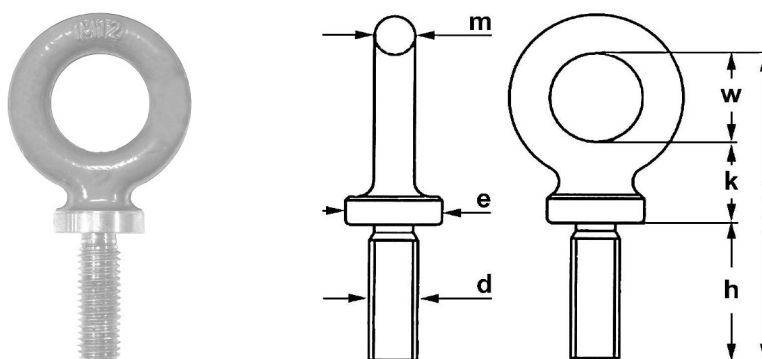


Long eyebolt (French type) ISO metric thread coarse - art. 2947/L



* Reference standard	Industrial standard
* Type of steel	C15 UNI EN 10084 steel - W.N. 1.0401 - class 4
* Design factor (F.O.S.)	4 : 1
* Standard finish	Self-coloured (ungalvanized); electro galvanized upon request
* Applications	Lifting and suspending of loads in industry and marine, when a shank longer than art. 2947 is requested
* Warnings	Working temperature -20° +200° C - please refer to the technical part of attachment section for deepening and other warnings
Dimensional tolerances	eye width w +/- 1 mm

Technical data											
code	WLL t ⁽¹⁾		ISO metric thread			measures mm					approx. weight per pc. kg
	along the axe	at 45° ⁽²⁾	d	pitch mm	height h	width w	bar m	dia. e	heights l k		
GLMASL006	0,09	0,06	6	1	24	20	8	20,5	68	24	0,05
GLMASL008	0,14	0,1	8	1,25	24	20	8	20,5	68	24	0,06
GLMASL010	0,23	0,16	10	1,5	28,5	23	10,5	22,5	79,5	28	0,1
GLMASL012	0,34	0,24	12	1,75	40	29	10,5	22,5	100,5	32	0,14
GLMASL014	0,5	0,35	14	2	40	33	12	26	110	37	0,2
GLMASL016	0,7	0,49	16	2	50	37	14	28	126	39	0,32
GLMASL018	0,93	0,65	18	2,5	52	41	15	31	137	44	0,42
GLMASL020	1,2	0,84	20	2,5	55	46	16	32	147	46	0,52
GLMASL022	1,5	1,05	22	2,5	62	50	17	35	160	48	0,64
GLMASL024	1,8	1,26	24	3	67	53	20,5	38	177	57	0,92
GLMASL027	2,5	1,75	27	3	74	59	21	40	194	61	1,16
GLMASL030	3,6	2,52	30	3,5	79	60	24,5	45,5	211	72	1,66
GLMASL033	5,1	3,57	33	3,5	84	64	28,5	55	228	80	2,48

⁽¹⁾ metric tons of 1.000 kg **The sizes in bold character are stock-items.**

⁽²⁾ maximum side load. **WARNING: side load is permitted only along the eye's plan**