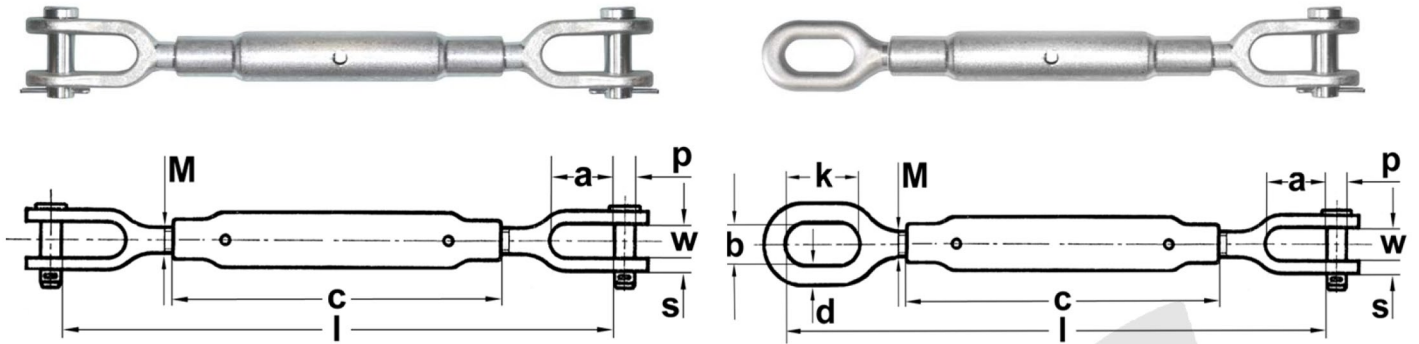


**Stainless steel closed (pipe) body rigging screw to UNI 2018  
 jaw/jaw type I A UNI 2018 - art. 2018/I1A  
 oval eye/jaw type I C UNI 2018 - art. 2018/I1C**



**art. 2018/I1A**

**art. 2018/I1C**

* Reference standard	Industrial standard deriving from Italian norm UNI 2018
* Type of steel	Stainless steel Aisi 316 (X5CrNiMo17-12-2 EN 10088) - W.N. 1.440
* Design factor (F.O.S.)	5 : 1
* Standard surface finish	Polished
* Applications	Lifting, suspension, towing of loads in corrosive atmosphere (marine environment, presence of acid), where the use of stainless steel material is requested (pharmaceutical, food industry), where the use of non-magnetic material is requested (military applications), cruisers, leisure boats
* Warnings	WLL apply for pull along the rigging screw's axe - working temperature -20° to +200° C - please refer to the technical part of rigging screw section for deepening and other warnings
* Remarks	Round eye/jaw type II B UNI 2018 and hook/jaw type II D UNI 2018 available upon request

**Technical data**

code		thread M	WLL t <sup>(1)</sup>	measures mm										approx. weight per pc. kg <sup>(2)</sup>
art. 2018/I1A	art. 2018/I1C			length l		length c	width w	depth a	dia. p	thickn. s	width b	depth k	dia. d	
				closed	open									
T-AI2018C10	T-AI2019C10	10	0,25	252	367	160	12	26	8	6	16	28	8	0,5
T-AI2018C12	T-AI2019C12	12	0,4	290	415	180	16	33	10	7	20	35	10	0,81
T-AI2018C16	T-AI2019C16	16	0,63	338	473	200	20	38	12	8	25	45	13	1,38
T-AI2018C20	T-AI2019C20	20	1	379	509	220	24	42	16	10	25	45	15	2,12
T-AI2018C22	T-AI2019C22	22	1,6	430	565	240	28	46	20	12	30	56	19	3,13
T-AI2018C22	T-AI2019C27	27	2	463	598	260	32	51	22	14	30	60	19	4,78
T-AI2018C30	T-AI2019C30	30	2,5	515	660	280	36	57,5	25	16	36	70	24	6,46
T-AI2018C33	T-AI2019C33	33	3,15	512	692	300	40	64	28	18	36	70	24	8,41

<sup>(1)</sup> metric tons of 1.000 kg      <sup>(2)</sup> weight referring to art. 2018/I1A - art. 2018/I1C weighs approx. 10% less.

**The sizes in bold character are stock-items.      non-standard rigging screws as to type, steel, dimensions on request**