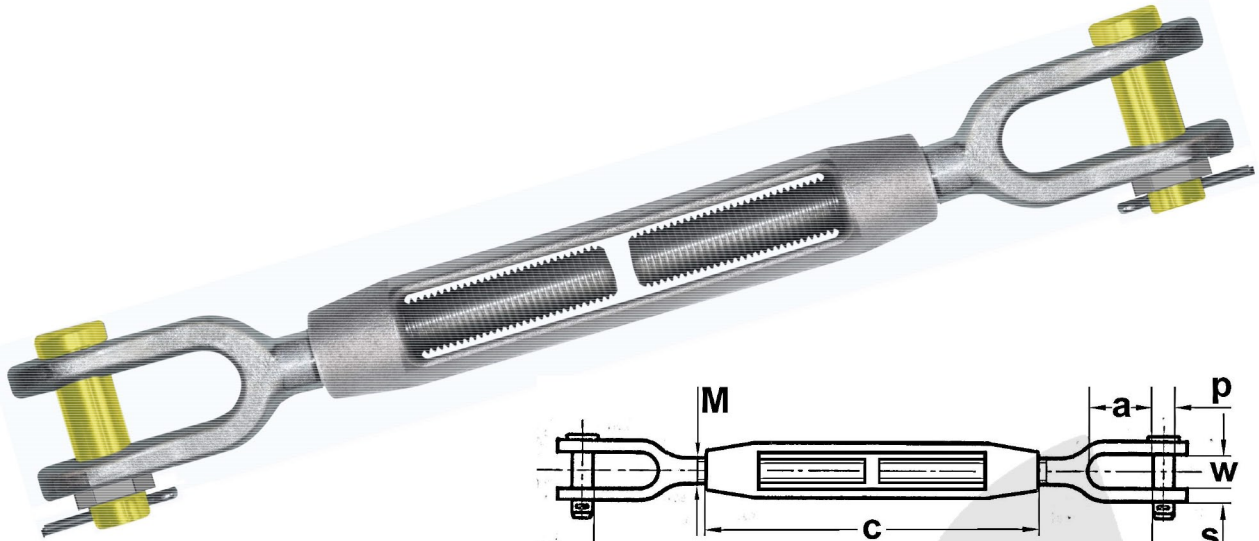


## High tensile galvanized rigging screw open body jaw/jaw developed from Italian norm UNI 2018 - art. 2018/E



manufactured in Italy



* Reference standard	Industrial standard developed from Italian standard UNI 2018
* Technical features	Safety pins with nut and splitpin
* Material	Body and jaws carbon steel, pins alloy steel
* Design factor (Factor Of Safety)	5 : 1
* Standard surface finish	Body and jaws electro-galvanized white, pins electro-galvanized yellow
* Applications	Lifting, suspension and lashing of load in industry and marine
* Warnings	WLL apply for pull along the turnbuckle's axe - working temperature -20° to +200° C - please refer to the technical part of rigging screw section for deepening and other warnings

### Technical data

code	thread M	WLL t <sup>(1)</sup>		mesures mm								weight per pc. approx. kg
		marine (2)	industry (3)	length l		length c	width w	depth a	dia. p	thickn. s		
				closed	open							
T-FV2018E12	12	1	on demand	290	415	180	16	33	10	7	0,65	
T-FV2018E16	16	1,5	on demand	338	473	200	20	38	12	8	1,17	
T-FV2018E20	20	2,4	on demand	379	509	220	24	42	16	10	2,01	
T-FV2018E22	22	3,1	on demand	430	565	240	28	46	20	12	3,05	
T-FV2018E27	27	4,5	on demand	463	598	260	32	51	22	14	4,58	
T-FV2018E30	30	6,3	on demand	515	660	280	36	57,5	25	16	6,62	
T-FV2018E33	33	7	on demand	512	692	300	40	64	28	18	8,82	
T-FV2018E36	36	8	on demand	568	758	320	45	70	32	20	12	
T-FV2018E39	39	10	on demand	589	794	340	50	76	36	22	15	
T-FV2018E45	45	11,9	on demand	660	880	380	55	82	40	24	21,5	
T-FV2018E52	52	16	on demand	728	968	420	60	89	42	26	29,2	
T-FV2018E56	56	20	on demand	800	1055	460	65	97,5	45	28	38,7	
T-FV2018E64	64	26,9	on demand	895	1165	500	70	110	50	30	53,5	
T-FV2018E72	72	30	on demand	969	1259	540	80	122	56	33	72,2	
T-FV2018E76	76	40	on demand	1052	1362	580	90	133,5	63	36	93,9	

<sup>(1)</sup> metric tons of 1.000 kgs

<sup>(2)</sup> WLLs that can be certified by RINA, according to the drawing approved by RINA itself no. no. 407/99

<sup>(3)</sup> WLLs applicable in industry

The sizes in bold character are stock-items.

Non-standard rigging screws as to dimensions, steel, capacity, on request